

Design:  
Approved:

GENERAL TOLERANCE:

MATERIAL:

FINISH:

SURFACE FINISH: N8

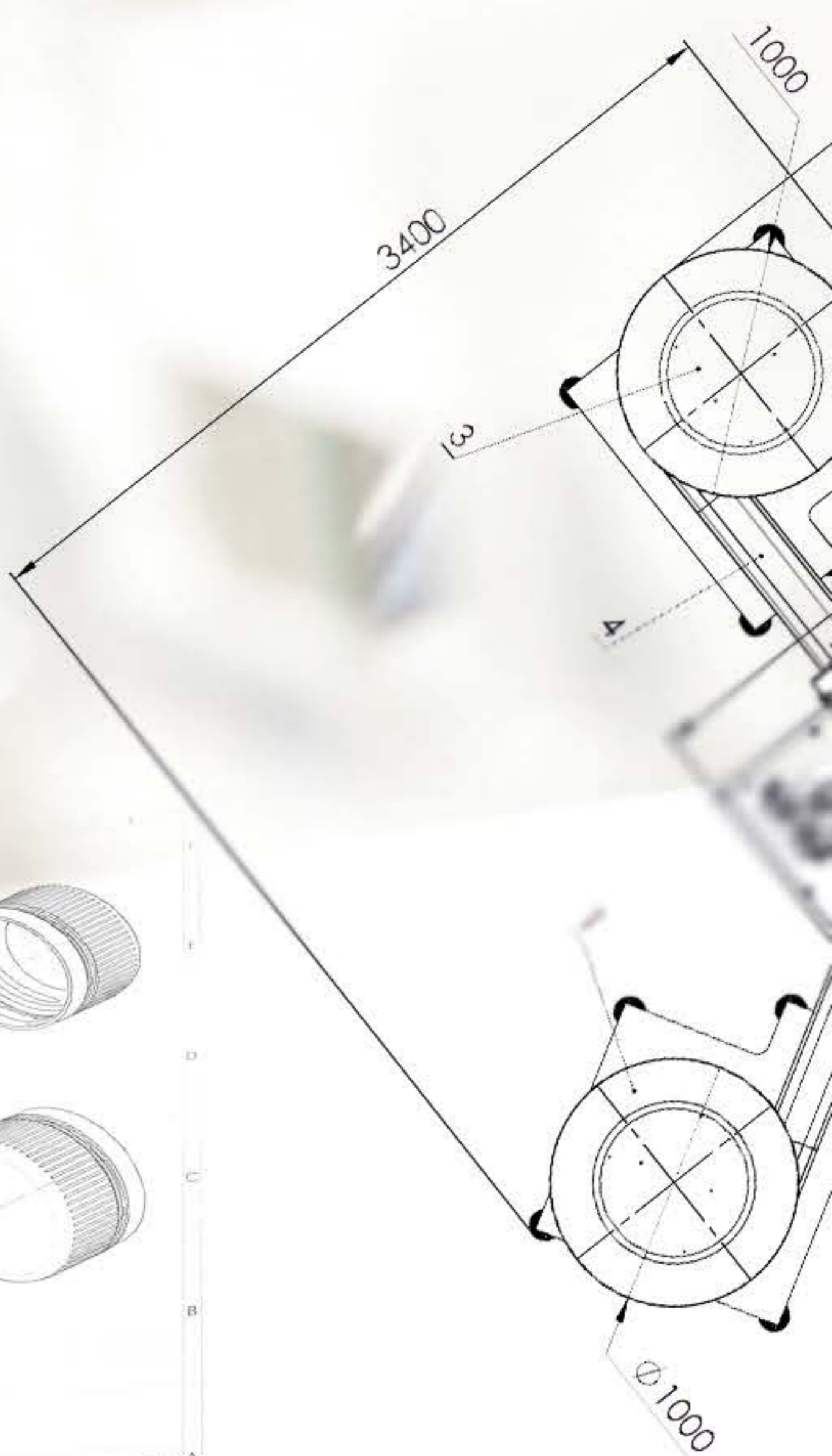
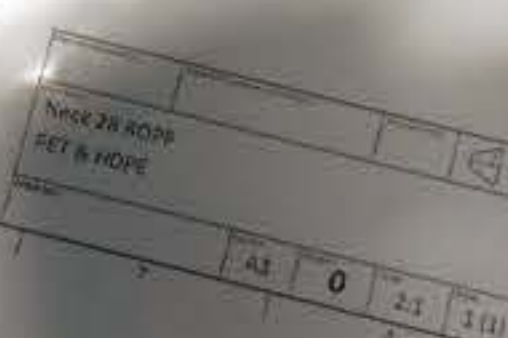
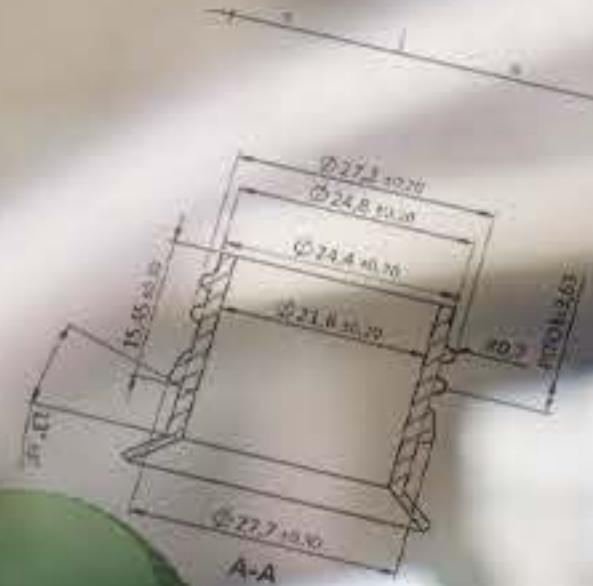
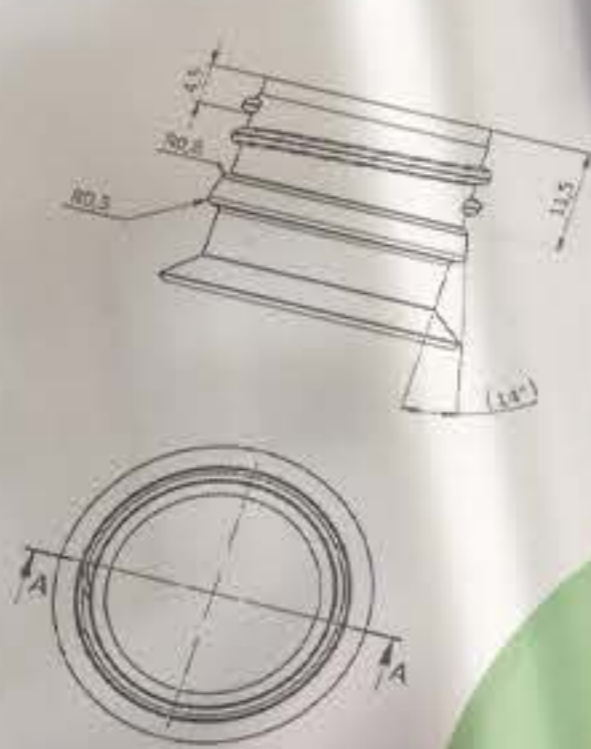
QTY. PER PROJECT:

DEBUR AND BRAKE SHARP

A4

SCALE

SHEET 1 OF 2



**CALL OUR UK OFFICE TODAY FOR FREE ADVICE.**

**SHEMESH AUTOMATION UK**

**BERKELEY SQUARE HOUSE, 2ND FLOOR**

**MAYFAIR, BERKELEY SQUARE**

**LONDON W1J6DB, UNITED KINGDOM**

**TEL.: +44 207 887 6004 FAX.: +44 207 887 6001**

**SA@SHEMESHAUTOMATION.COM**