

SAS120

A truly revolutionary high-speed vertical round wipes canisters stuffer, empirically proven to provide unprecedented speed and accuracy levels, reinventing operations and efficiency.



Quick Fact Sheet:

- Throughput models offered: 60, 120, 160, 250 or 500 products per minute
- Tolerance: rolls may be wider than the canister opening by up to 10mm, a BIG plus
- Sub 30 minutes changeover, **reducing downtime!**
- Supporting both oval, conic, round and rectangular canisters
- Smart controls. Seamless line integration. Adjustable throughput technology
- Explosion proof, corrosion proof upgrades available
- Built in quality control & defects reject system
- Industry 4.0 ready



Explosion Proofed & Corrosion Proofed Equipment Upgrades



Corrosive or alcohol-based solutions dictate that your equipment is duly fitted to professionally handle these delicate environments. Years of experience in the field made it possible for us to tailor you the exact protection so your production is safe and stable, while your people and equipment are well protected, keeping your facility at the top of the range.

All of our machines are constructed using SST 304/316L, and are available with anti corrosive proprietary coating. As well as the machine base, all vital parts such as nozzles and pumps are also specially treated.

For more information, please contact your regional Shemesh Automation Representative.



BANNER Sensors



ANTI CORROSION



Built in ATEX rated commended ventilation systems for flammable fumes evacuation

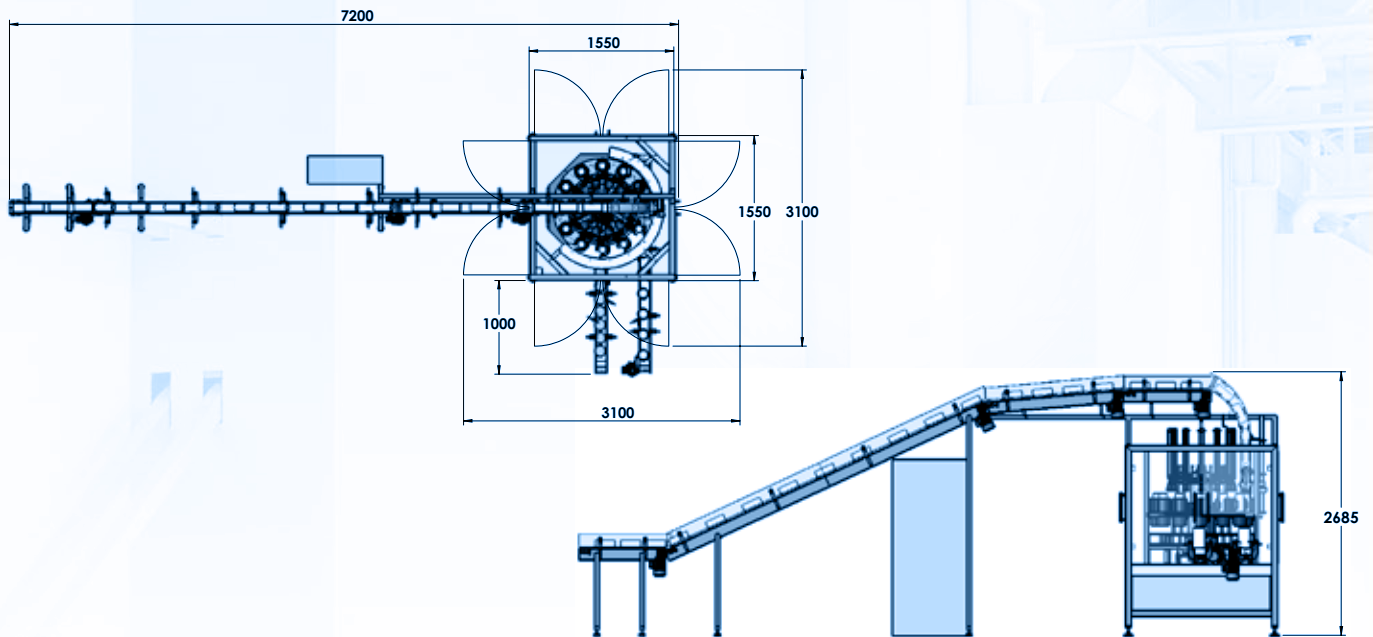


EX Approved Components such as SIEMENS motors, BANNER Sensors and SIEMENS PLC and HMIs

The SAS120

Empirically proven since 2013, the SAS120 is the first, fastest and most accurate vertical nonwovens rolls stuffer in the world. It is a proven success. Its main advantages are:

- **Methodology:** vertical chute and a main servo-driven rotary turret
- **Tolerance:** rolls diameter may be bigger than the canister opening by up to 10mm, a BIG plus!
- **Space:** takes less than one third of the space for the average horizontal stuffer
- **Synergy:** compatible with all of our downstream portfolio and offered converting machines
- **Setups, operation & maintenance:** sub 30 minutes changeover downtime. Easy to operate and maintain
- **Speed:** models offer up to 500ppm throughput. Proven operation with connection to multiple converting machines



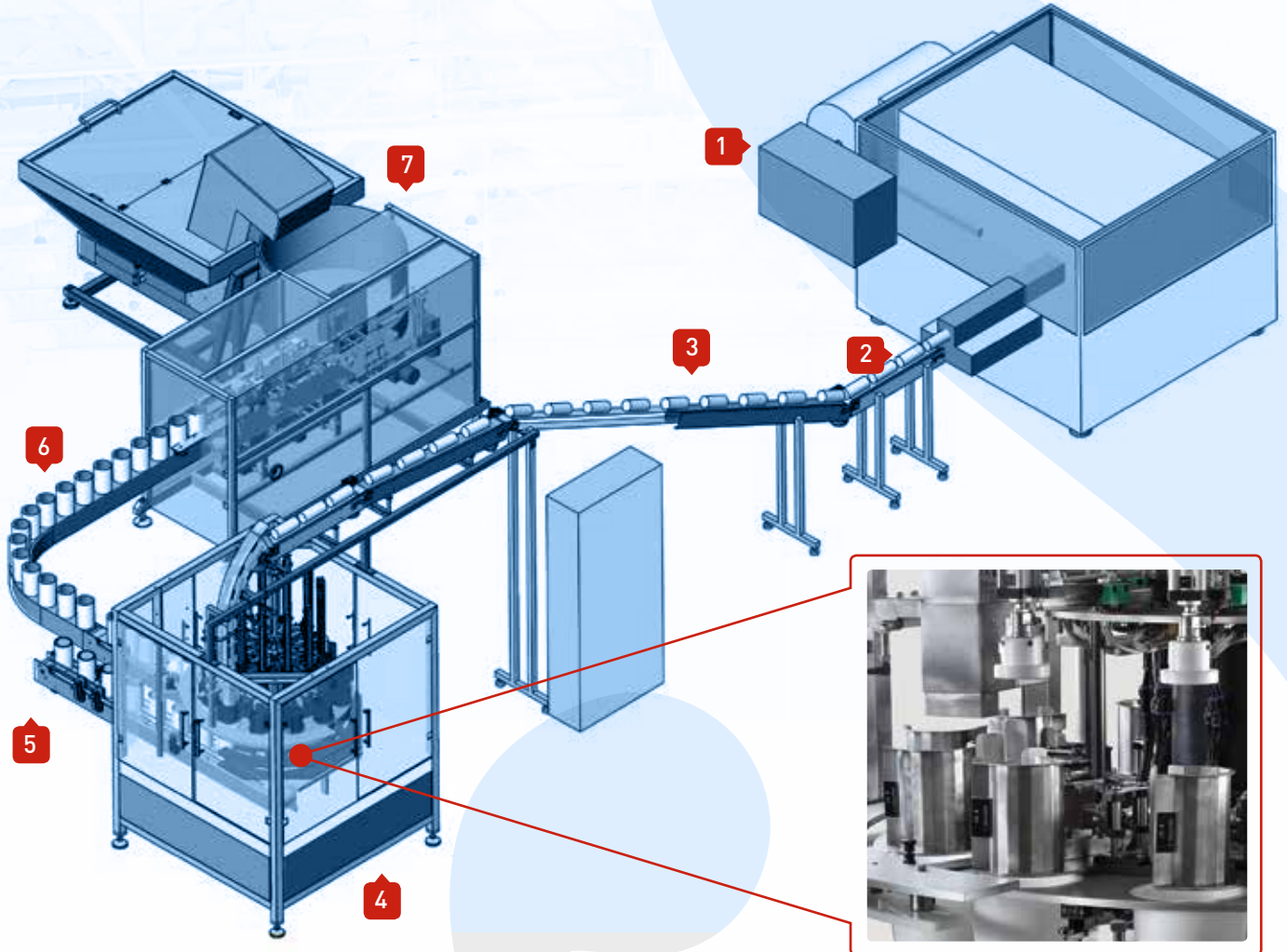
New super-fast SAS250 model available offering unprecedented speeds of up to 250ppm!

For a video demo visit us at: sawetwipes.com

The SAS120 Ecosystem – How It Works

The SAS120 feeds the rolled product through a smart synching conveyors system vertically into a 90° chute that feeds the rolls to the main servo-driven rotary turret where each roll is stuffed by a pneumatic piston pusher into its designated canister.

- 1 Converting machine
- 2 Connecting conveyor
- 3 Rolls in-feed and synching conveyors system
- 4 SAS120 Stuffer
- 5 Full-canister out-feed conveyor
- 6 Canisters in-feed conveyor
- 7 SA-CF120 Canisters Unscrambler



SAS120 ground-breaking technology allowing rolls entering the canisters to be up to 10mm wider than the canister opening, a BIG plus.

Rolls and canisters sizes supported by the SAS120, in mm.:

	Min. Dia.	Max. Dia.	Min. Height	Max. Height
Canister	75	130	100	280
Roll	50	130	100	280

The World's Premier Manufacturer of Round Wipes Downstream Equipment



REGIONAL HEADQUARTERS

United Kingdom

Shemesh Automation UK Ltd
Contact: Mr. Carl Gunaratnam

North America

Shemesh USA Inc
Contact: Mr. Jim Livermore

France

Shemesh Automation France
Contact: Ms. Nelly Desbiens

Israel

Shemesh Automation Israel Ltd
Contact: Mr. Luis Coronel

OTHER OFFICES

Spain

Shemesh Spain
Contact: Ms. Leticia Mulet

United Arab Emirates

Shemesh Automation UAE
Contact: Mr. Johann Van Niekerk

South Africa

Shemesh Automation SA
Contact: Mr. Simon Daniels

India

Shemesh Automation India
Contact: Mr. Shilpan Patel

China & Hong Kong

Shemesh Automation Asia
Contact: Mr. Charles Yip

Japan & Indonesia

Shemesh Automation Japan & Indonesia
Contact: Mr. Kentaro Taguchi

Australia & New Zealand

Shemesh Automation Australia
& New Zealand
Contact: Mr. Cameron McKenzie

LATIN AMERICA

Contact: Mr. Nir Baram

GLOBAL SALES

Contact: Mr. Luis Coronel

For all sales enquiries please contact us via sales@shemeshautomation.com



For FREE advice and demo videos:

- Shemesh Automation UK**, Tel. +44 758 428 1707
- Shemesh Automation USA**, Tel. +1 920 325 0050
- Shemesh Automation Israel**, Tel. +972 3550 9946
- Shemesh Automation France**, Tel. +33 (0)6 1521 0409

Sales@shemeshautomation.com
www.sawetwipes.com



"Great product, great team! Shemesh delivered a turnkey production line as promised under extraordinary circumstances during the pandemic. We would certainly consider partnering with them again in the future and highly recommend their products and services."

Jason Slosberg, MD Founder
Business Lead Legacy Converting, Inc (Everwipe)

